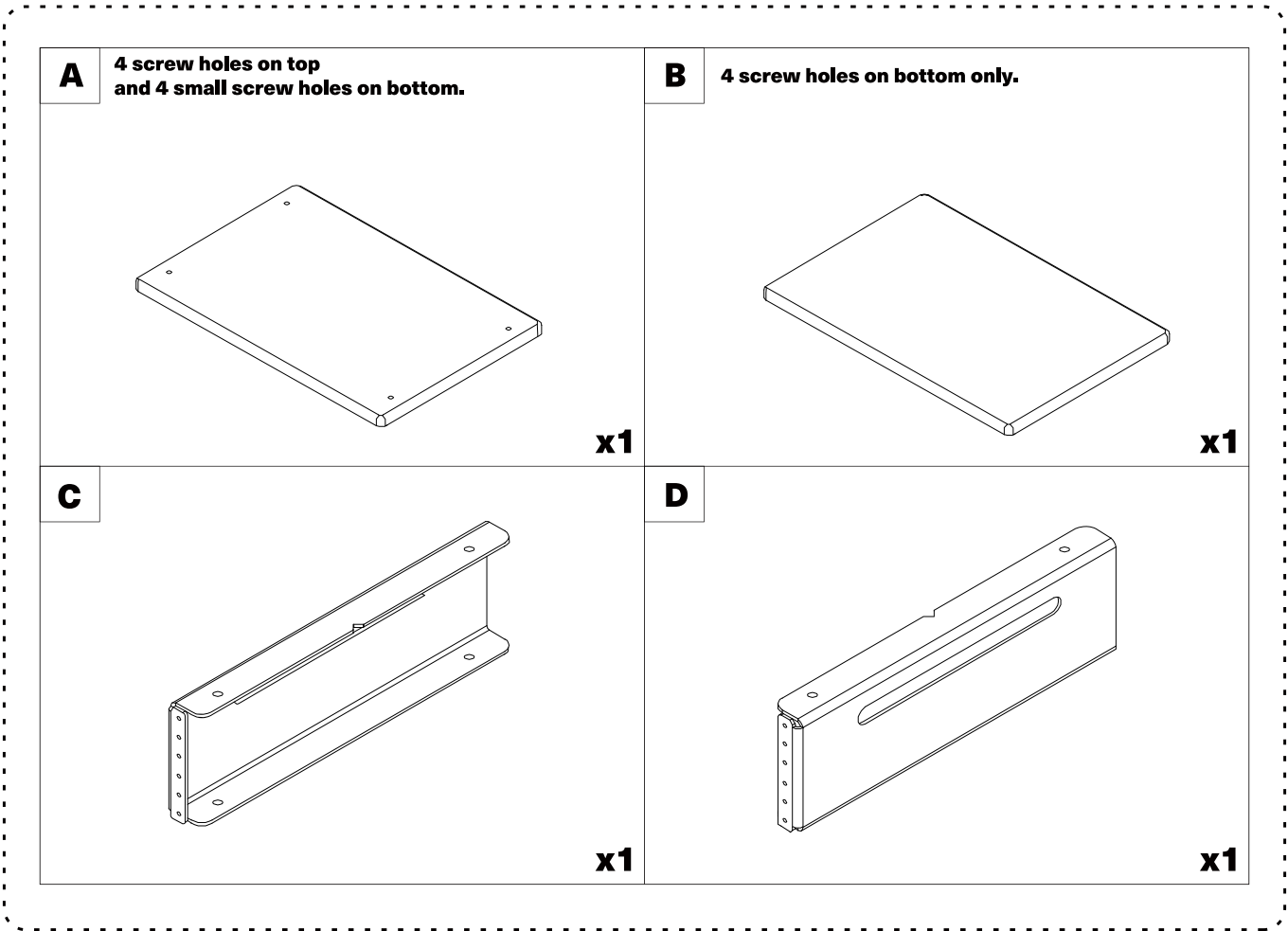
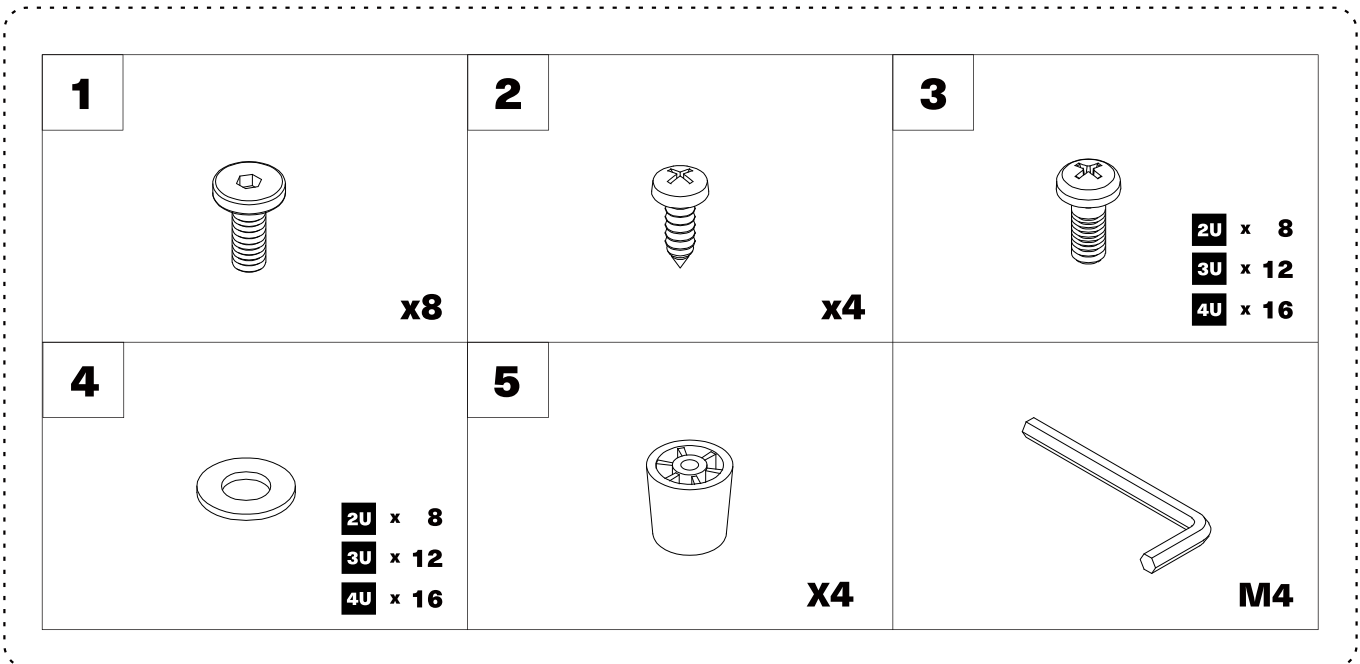




wavebone
For Your Long Way to The Top



Please note that the quantities of Part 3 and Part 4 will vary according to your purchase of 2U, 3U, or 4U models.



STEP 1

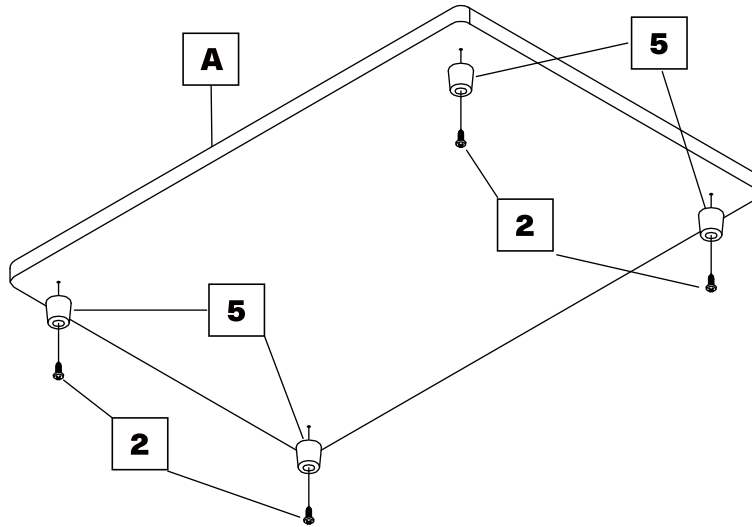
Insert screw **2** into **5**
and secure it firmly onto board **A**

* 4 small screw holes on the bottom help align and secure.

A x1

2 x4

5 x4



STEP 2

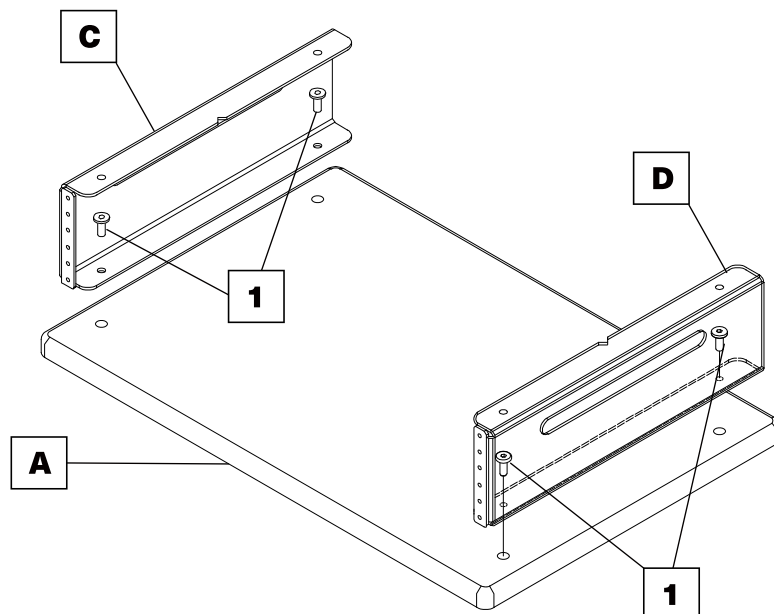
Insert screw **1** to secure metal plates **C**
and **D** onto board **A**

A x1

C x1

D x1

1 x4



STEP 3 Insert screw **1** to secure metal plates onto board **B**

A x1

B x1

1 x4

