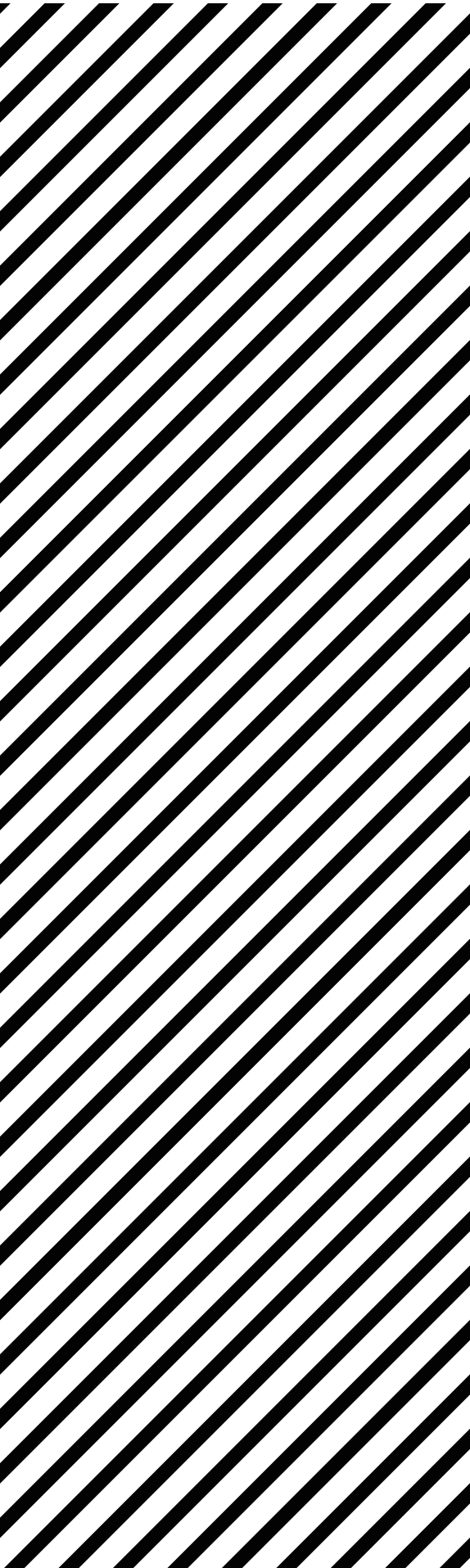


mindcase

**ROUNDY DESK
USER MANUAL**



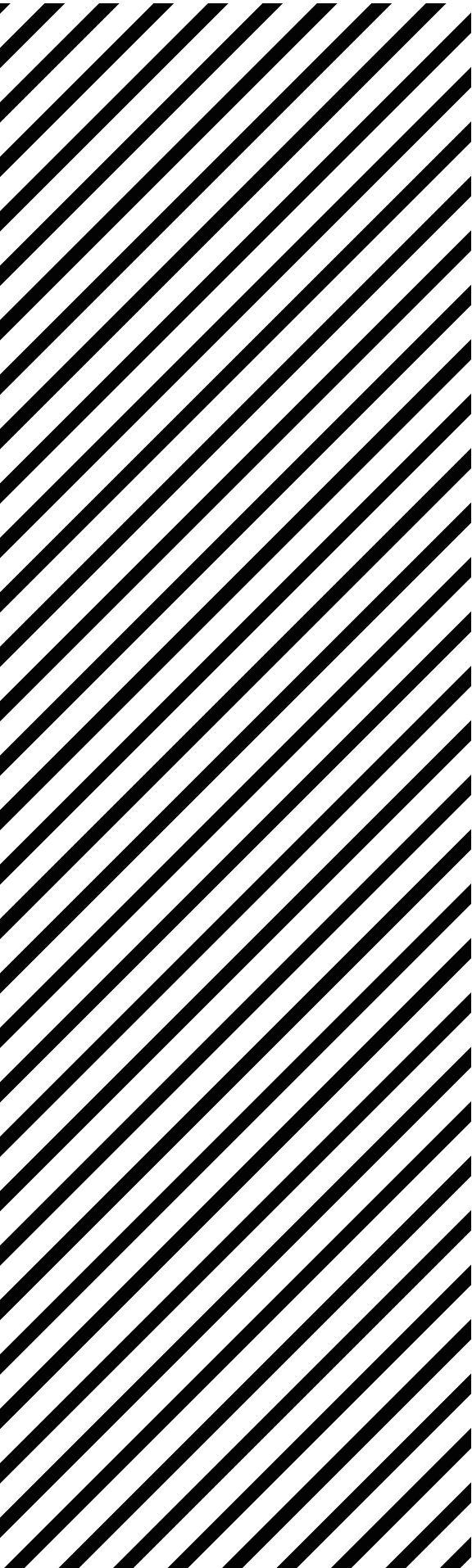
Thanks for purchasing mindcase products.

Mindcase team is dedicated to creating innovative, sophisticated, and elegant designs to enhance your work environment. Our goal is to make your work experience more enjoyable and efficient.

As a company committed to providing furniture that balances aesthetics and practicality for those who value quality of life, we guarantee that all mindcase products are manufactured under strict quality control. We use high-quality, sustainable materials and adhere to rigorous manufacturing processes to ensure safe and durable products. Our commitment to customer satisfaction and quality assurance is unwavering.

We strive to make your work both enjoyable and productive. Eco-friendly materials, timeless design, and multifunctionality are all you need.

m.



Index _____ **P.01**

Guideline _____ **P.02**

Parts List _____ **P.03**

Assembly steps _____ **P.04**



Guideline

Please read these instructions carefully and keep them for future reference. Always follow the guidelines below when using the product to reduce the risk of injury.

Make sure all the hardware is included in the package before you start assembling.

Use the included tools and components to assemble the product.

Do not climb, stand, or sit on the desk.

Do not place objects on the desk while moving it.

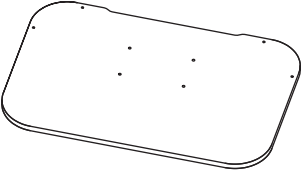
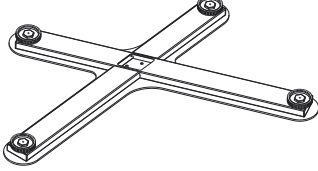
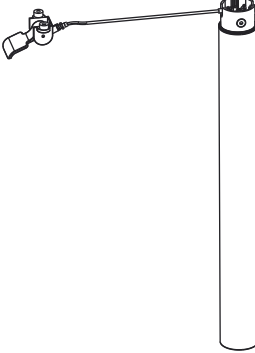
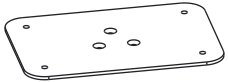
Ensure that all the bolts and brackets are tightened appropriately on a regular basis.

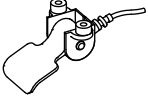


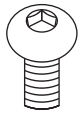
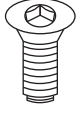
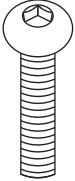
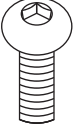
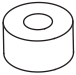
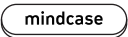
Keep the product away from hazardous environments.

To ensure safety, use the desk only as intended and in a non-abusive manner.

ROUNDY DESK

Parts List

A Tabletop  x1	B Base foot  x1	C Desk leg  x1	D Fixed plate  x1
--------------------------------------------------------------------------------------------------------------------	----------------------------------------------------------------------------------------------------------------------	----------------------------------------------------------------------------------------------------------------------	--------------------------------------------------------------------------------------------------------------------------

E Handle  x1	F Side hook  x1	G 4mm hex wrench  x1	H M6 screws  (14mm) x5	I M6 screws  (12mm) x3
J M6 screws  (25mm) x4	K M6 screws  (20mm) x2	L Washers  x2	M Logo sticker  x1	



Some parts have been pre-installed at designated positions. Please check the following before assembly:

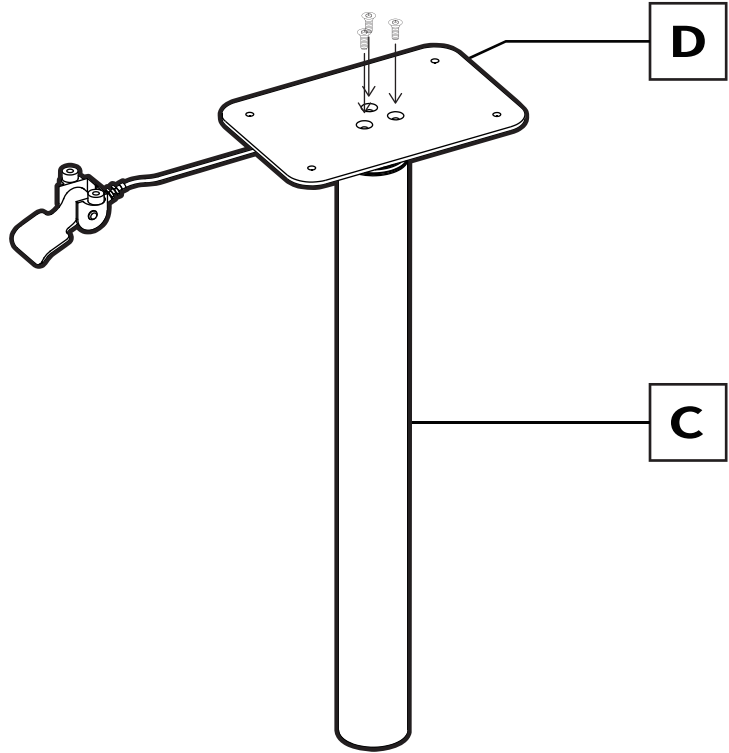
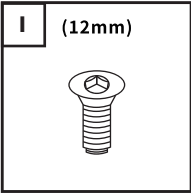
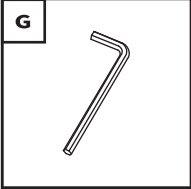
- K & L : These parts are pre-installed on the handle (E). Please remove the white cap before use.
- M : The logo sticker is already attached to the tabletop (A), and is not included separately in the parts pack.

Before beginning your assembly, please refer to the parts list to ensure that all parts have been included. Please note that your return rights might be affected once the product has been assembled.

ROUNDY DESK

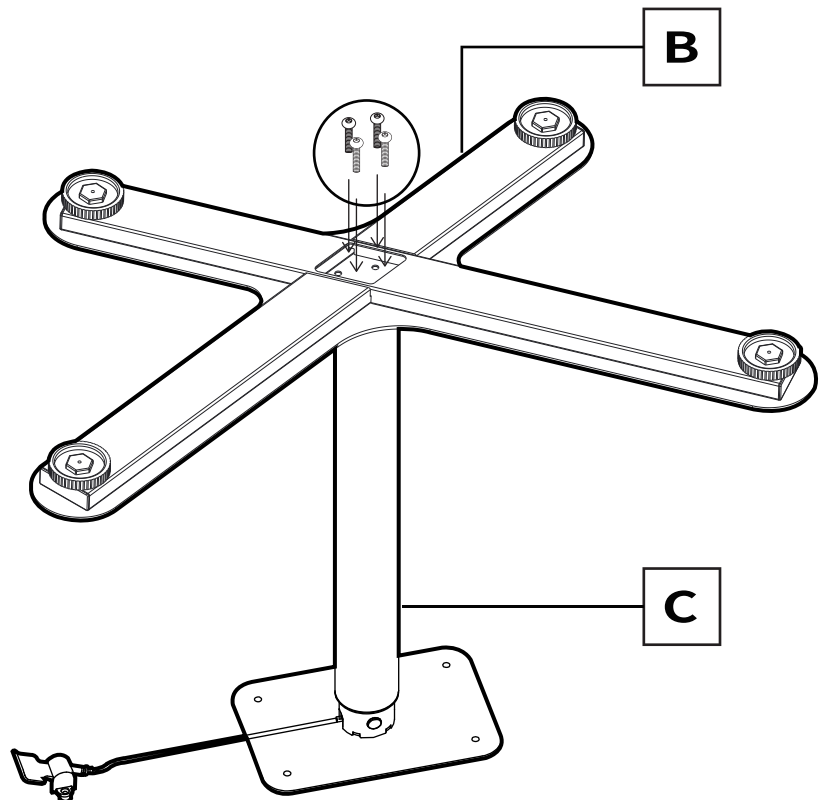
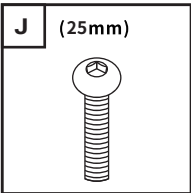
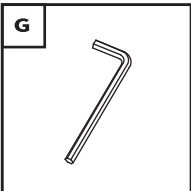
Step 1

Use the **G** wrench to assemble the three **I** screws to attach the **D** fixed plate to the **C** desk leg.



Step 2

Use the **G** wrench to assemble the four **J** screws to secure **B** base foot onto **C** desk leg.



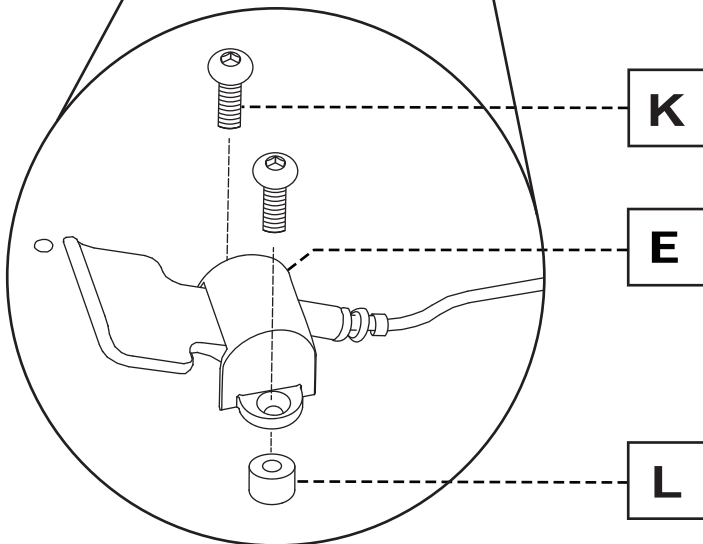
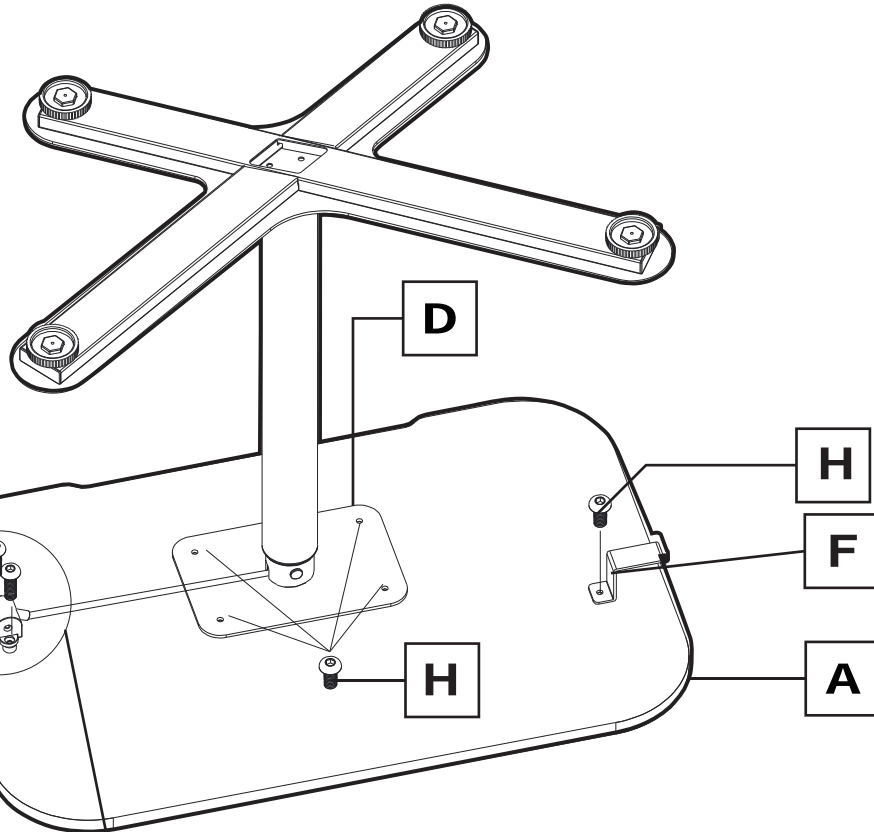
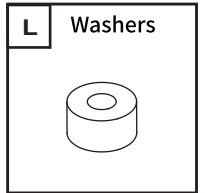
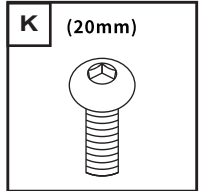
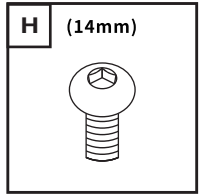
ROUNDY DESK

Step 3

Use one **H** screw to attach the **F** side hook to the **A** tabletop.

Use two **K** screws and two **L** washers to attach the **E** handle to the **A** tabletop.

Use four **H** screws to attach the **D** fixed plate to the **A** tabletop.



! Ensure the (L) washer is installed between the lift handle and the tabletop to prevent damage and ensure smooth height adjustment.

Contact

Company: Mindcase

Contact Email: nej@mdcsd.com

Address: Absalonsgade 43 st th.1658 København

mindcase

ROUNDY DESK
使用手冊



感謝您選購Mindcase的產品。

Mindcase 團隊始終致力於創新設計，將精美與優雅融合，為您的工作環境帶來升級。我們的目標是讓您享受到更愉悅、更高效的工作體驗。

作為一家追求高品質生活的企業，我們專注於提供既具美感又實用的家具。

每一款 Mindcase 產品都經過嚴格的質量控制，採用優質且可持續的材料，並遵循嚴謹的製造工藝，確保產品的安全性與耐用性。

我們對於客戶的滿意度和品質有著堅定的承諾。

我們全力以赴，只為讓您的工作體驗更有趣、更高效。

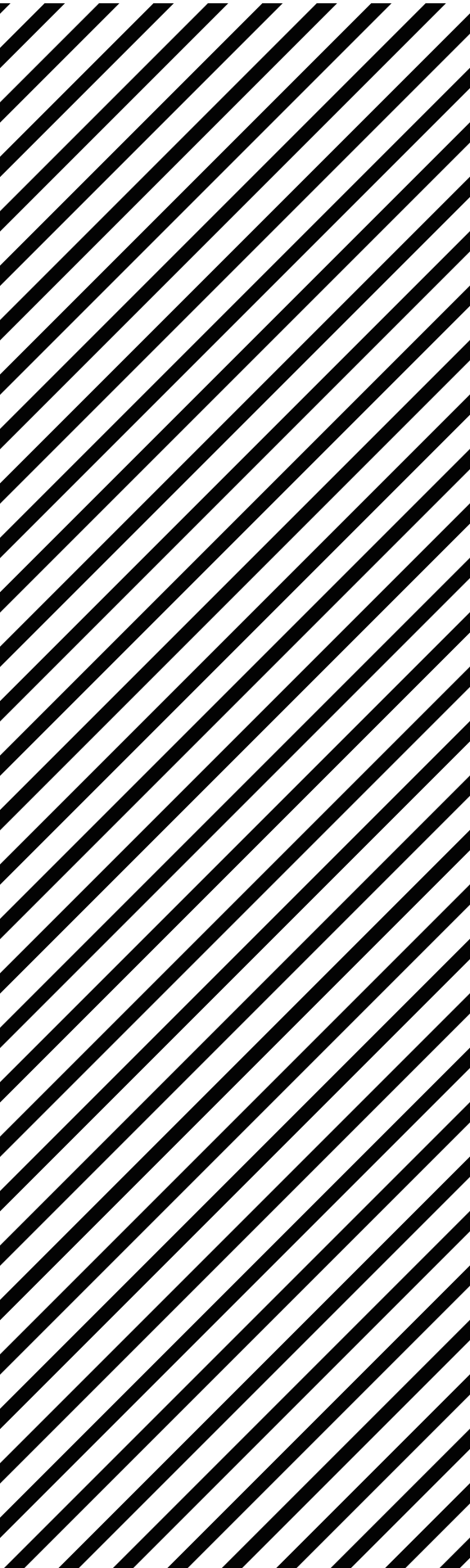
m.

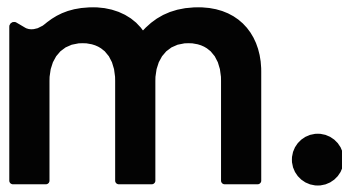
索引 ————— P.09

注意事項 ————— P.10

零件清單 ————— P.11

組裝步驟 ————— P.12





注意事項

請在使用前仔細閱讀產品組裝說明書，並保留安裝手冊以便日後參考。

組裝及使用本產品時，請遵循基本的安全防護措施，以降低意外受傷的風險。

請注意以下事項：

組裝前，請檢查包裝內的所有部件和工具，確認所有零件齊全。

請使用隨附的工具和正確的組裝步驟進行安裝，避免使用不當工具。

請勿攀爬、站立或坐在產品上。

移動產品時，請勿在產品上放置重物。

組裝完成後，請定期檢查產品連接處的螺絲和螺栓，確保其牢固無鬆動。

請勿將產品放置於過度潮濕或不平穩的地面上。

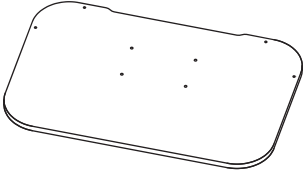
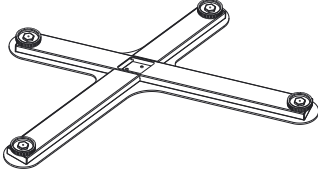
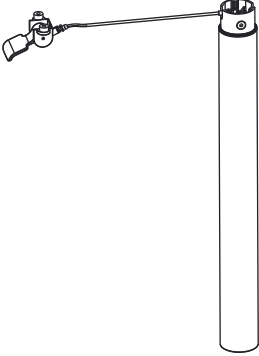
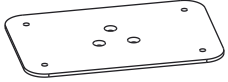
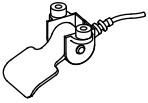


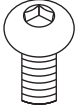
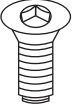
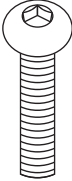
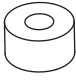

長時間存放時，避免將過重的物品放置在產品上。

若未按照組裝說明書進行操作，可能會增加損壞或危險的風險。

備註：所有需要用到的螺絲和配件均包含在配件包裝內。

ROUNDY DESK

零件清單

A 桌板  x1	B 底腳  x1	C 升降桌腿  x1	D 固定板  x1	
E 升降手柄  x1	F 側邊掛鉤  x1	G 4mm內六角扳手  x1	H M6 螺絲 (14mm)  x5	I M6 螺絲 (12mm)  x3
J M6 螺絲 (25mm)  x4	K M6 螺絲 (20mm)  x2	L 墊圈  x2	M Logo 貼紙  x1	



本產品部分配件已預先安裝於對應位置，組裝前請特別留意以下項目：

- K & L：已預裝於升降手柄 (E) 上，使用前請先卸下白色螺帽取出。
- M：已貼附於桌板 (A) 上，不另附於配件包中。

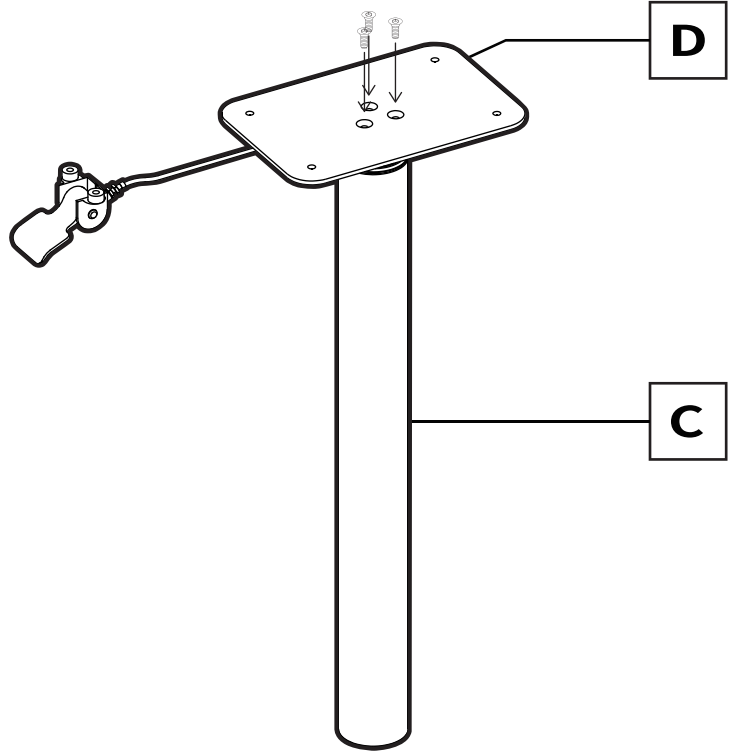
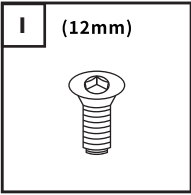
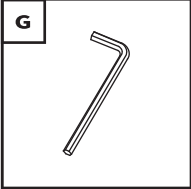
請於組裝前先行確認，如有缺漏或疑問，請即時聯繫客服人員協助處理。

ROUNDY DESK

步驟 1

用 **G** 扳手將3顆 **I** M6 螺絲組裝 **D** 固定板

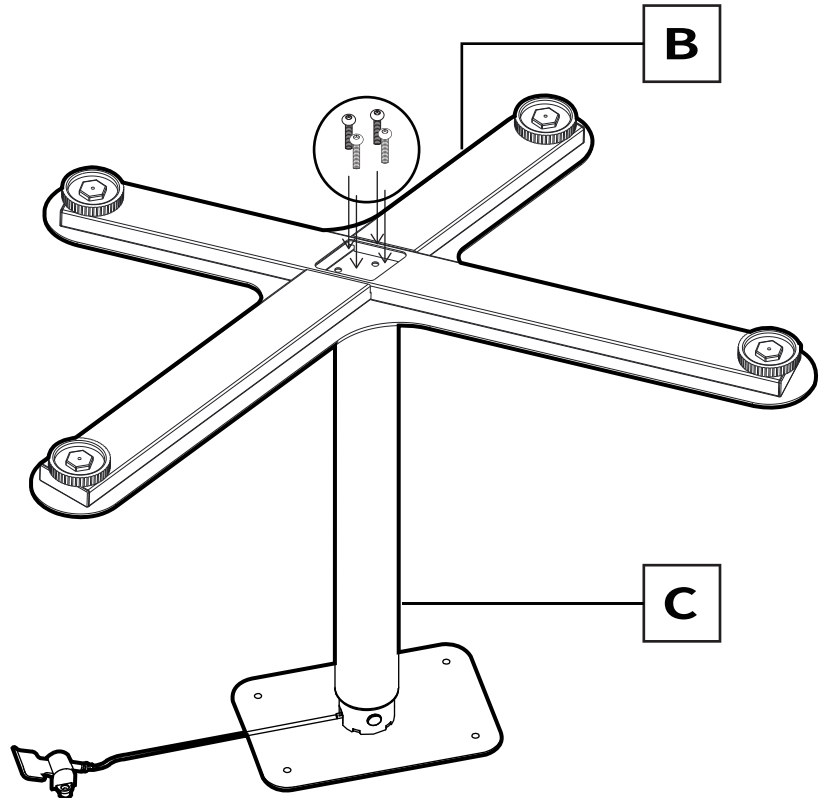
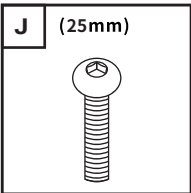
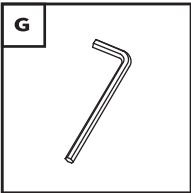
到 **C** 升降桌腿上。



步驟 2

用 **G** 扳手將4顆 **J** M6 螺絲

把 **B** 底腳組裝到 **C** 升降桌腿上。



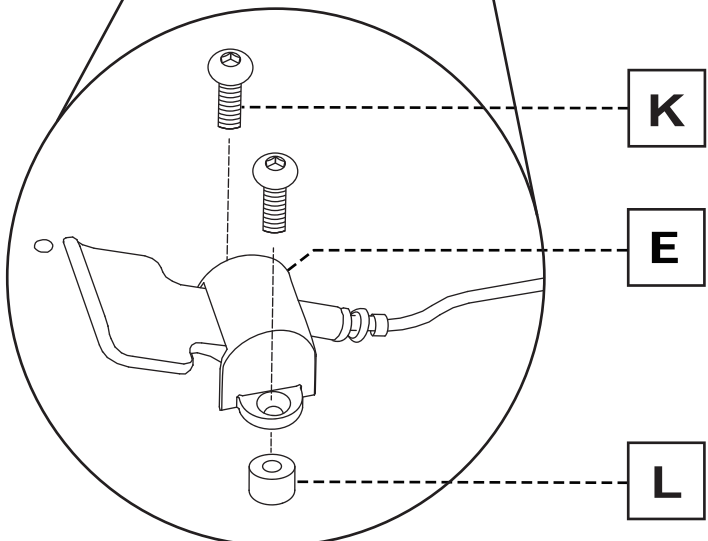
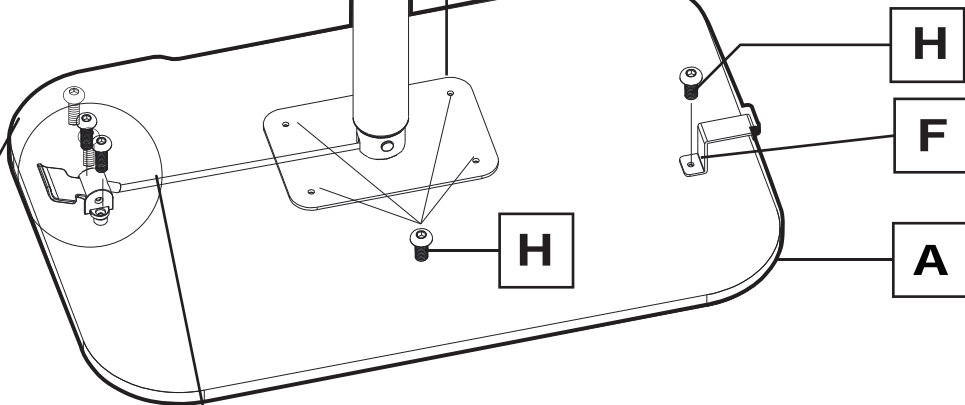
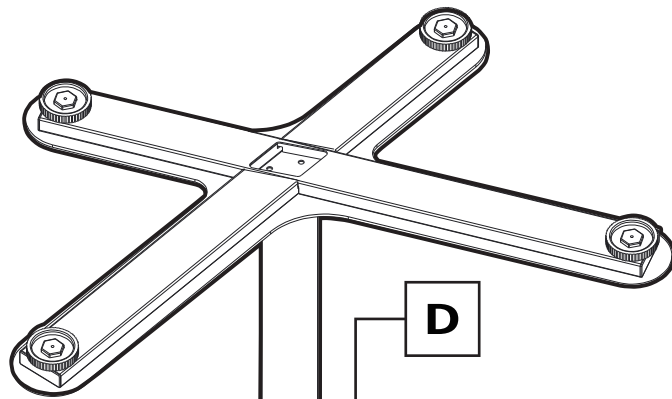
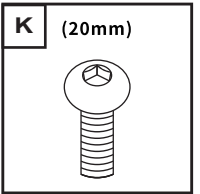
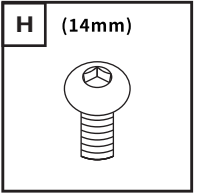
ROUNDY DESK

步驟 3

用1顆 **H** 螺絲把 **F** 側邊掛鉤組裝到 **A** 桌板上

用2顆 **K** 螺絲和2個 **L** 墊圈把 **E** 升降手柄組裝到 **A** 桌板上

用4顆 **H** 螺絲把 **D** 固定板組裝到 **A** 桌板上



! (L) 墊圈請務必安裝於升降手柄與桌板之間，
以避免桌板損傷並確保升降順暢。

Contact

Company: Mindcase

Contact Email: hej@mdcsd.com

Address: Absalonsgade 43 st th.1658 København